

# NEW FORMAT

## FROE TABLE

### MATERIALS

Copper, glass enamel, lacquered wood

### SIZES

41" W x 41" D x 14.5" T

\* Custom sizing available, please inquire

### DESCRIPTION

Hand crafted copper table with a torch-fired glass enamel finish. No two shingles are created alike—as the heat fuses the glass to the metal, the hand of the artisan directs the torch to vary the oxidation and reaction from the flame to reflect in the final coloration as it cools. The glass and copper meld into one finish—durable and smooth, insulating the cool metal and providing a dappled surface reactive to the touch.

### SHOWN

White translucent enamel finish

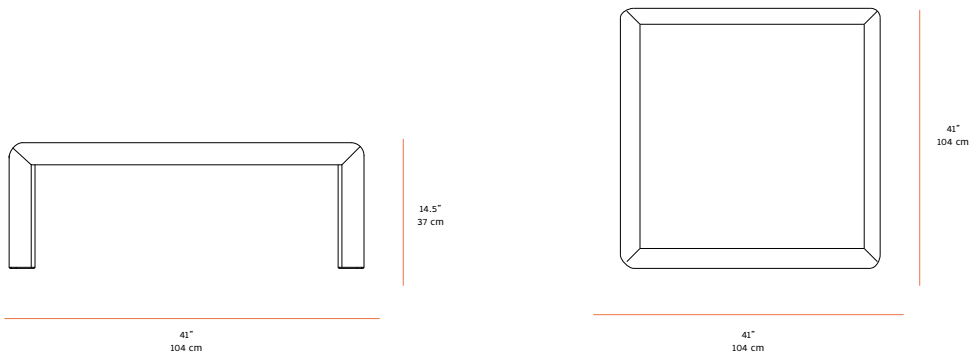
\* Available in other options, please inquire



# NEW FORMAT

## FROE, TABLE

\* Custom dimensions available, please inquire



## MATERIALS AND FINISHES

\* Custom options available, please inquire



Glass Enamel - White Translucent