

NEW FORMAT

FROE TABLE

MATERIALS

Glass Enamelled Copper

SIZES

41" W x 41" D x 14.5" H

* Custom sizing available, please inquire

DESCRIPTION

The glass enameled copper Froe Table borrows its visual language from the patterns created in cedar shake roofs. Indeed, the name itself is a reference to the tool used to split the shingles from their bolts. As is the case in the original cedar, no two copper shingles are created alike—as the heat fuses the glass to the metal, the hand of the artisan directs the torch to vary the oxidation and reaction from the flame to reflect in the final coloration as it cools. The glass and copper meld into one finish—durable and smooth, insulating the cool metal and providing a dappled surface reactive to the touch.

SHOWN

White translucent enamel finish

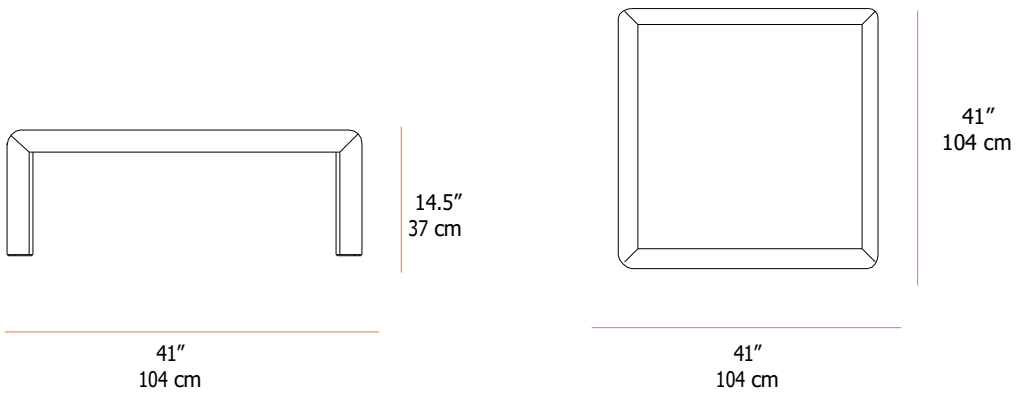
* Available in other options, please inquire



NEW FORMAT

FROE, TABLE

* Custom dimensions available, please inquire



MATERIALS AND FINISHES

* Custom options available, please inquire

STANDARD FINISHES (Base Price)

Frame and Top



Glass Enamel
White Translucent Copper