

NEW FORMAT

CONNECT, LOW TABLE

MATERIALS

Legs in bronze or steel, top in Oxidized Walnut, Charred Maple or White Washed Oak

SIZE

42" W x 26" D x 15" H

* Custom sizing available, please inquire

DESCRIPTION

Machined metal legs cleanly paired with a wooden top. Forged connection detail on base, and leg-through detail on top serve to tell the visual story of the piece and clarify for the viewer the process of creation and assembly.

SHOWN

Shown in satin finish bronze legs, charred maple top

* Available in more options, please inquire

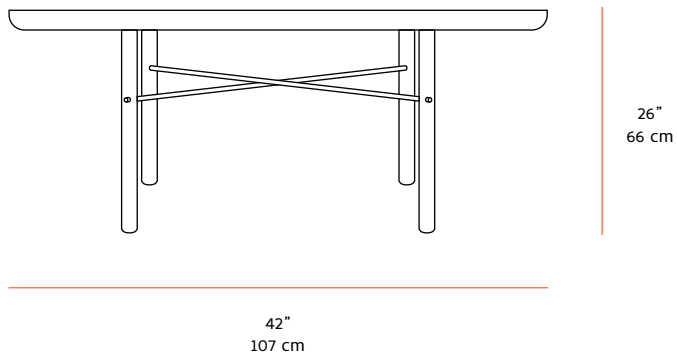
PRICE

\$7,600 (as shown)



NEW FORMAT

CONNECT, LOW TABLE

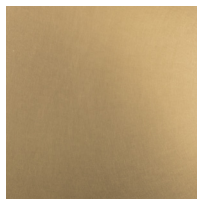


MATERIALS AND FINISHES

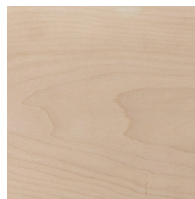
* Custom options available, please inquire



Steel - Blackened



Silicone Bronze - Satin



Wood - White Washed
Oak



Wood - American Walnut



Wood - Charred Maple