

NEW FORMAT

CIRRUS, COFFEE TABLE

MATERIALS

Sandcast bronze, domestic hardwood

SIZE

36" D x 16" H

*Custom sizing available, please inquire

DESCRIPTION

The Cirrus Coffee Table juxtaposes structural solidity with lightness of form. The graceful leg shape creates an aperture as it meets the mass of the tabletop, the negative space highlighting the distinct qualities of each material. Hand-sculpted legs are sand cast in solid bronze, vestiges of the casting process remain visible as texture and patterning.

SHOWN

Tabletop in Oxidized Maple, legs in Silver Nitrate Bronze

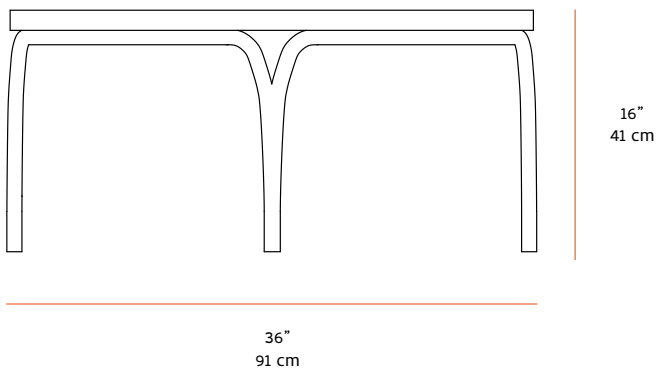
*Available in more materials and finishes, please inquire



NEW FORMAT

CIRRUS, COFFEE TABLE

* Custom dimensions available, please inquire



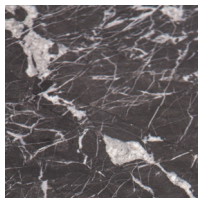
MATERIALS

* Custom options available, please inquire

Tabletop



Maple - Oxidized

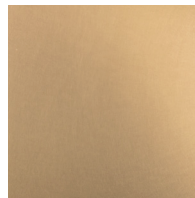


Marble

Legs



Bronze - Silver Nitrate



Bronze - Satin