

NEW FORMAT

CONNECT, FLOATING CREDENZA

MATERIALS

Case in black steel, fronts in copper, bronze, black steel, color flake resin or select domestic hardwoods, base in oxidized or polished bronze or steel

SIZES / PRICES

60" L x 20" D x 20" H / four door / from \$16,000

72" L x 20" D x 20" H / four door / from \$16,000

94" L x 20" D x 20" H / five door / from \$18,500

* Custom sizing available, please inquire

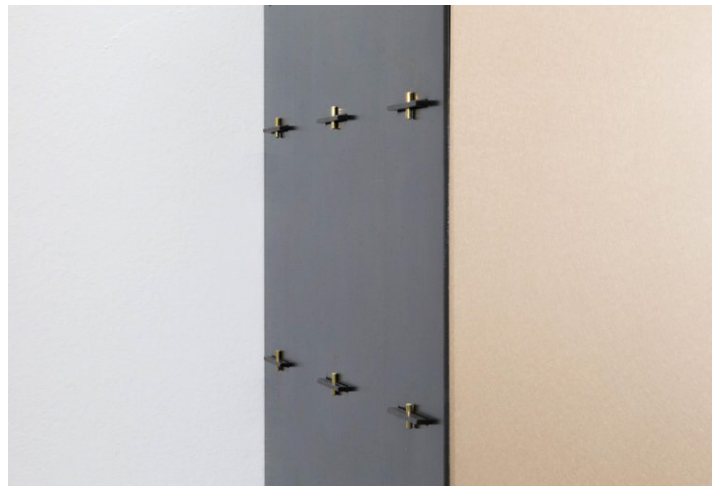
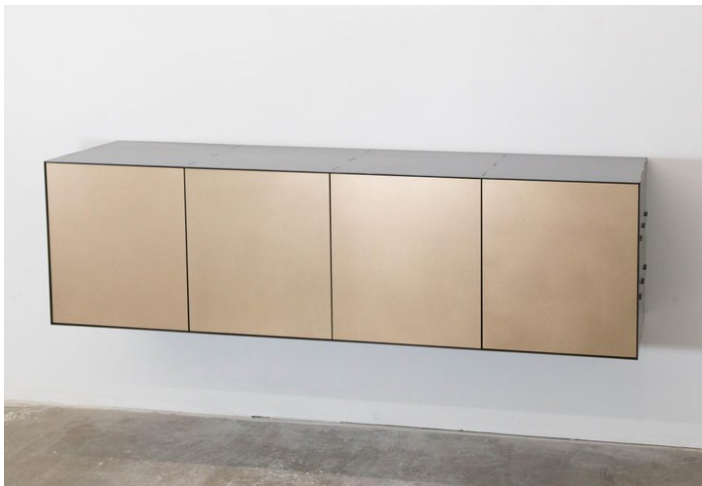
DESCRIPTION

Wall hanging variant of the Connect Credenza.

The Connect collection is designed to express the process by which each piece is created, with visible construction and fastening details that are integral to the final piece. Traditional joinery techniques are used in conjunction with mass manufacturing technology to create this unique metal cabinetry system.

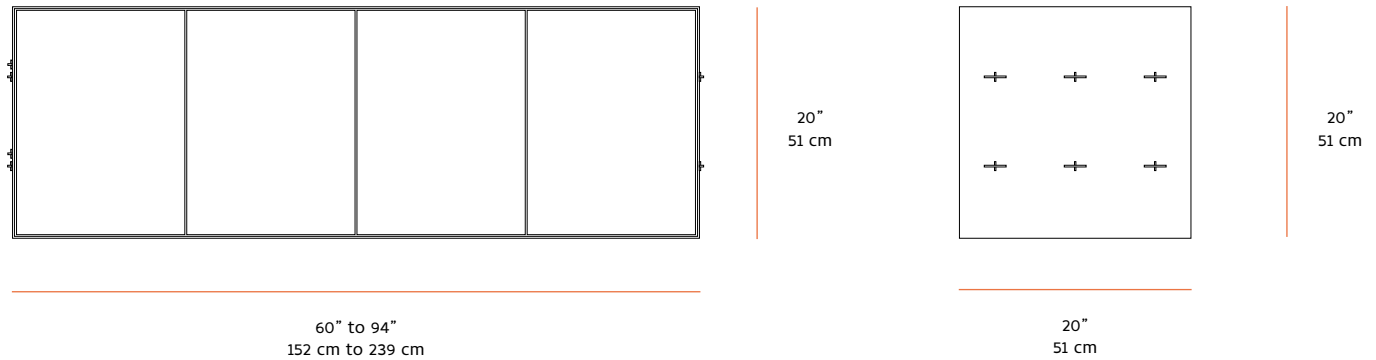
SHOWN

Hot Rolled Steel exterior, Satin Bronze fronts



NEW FORMAT

CONNECT, FLOATING CREDENZA

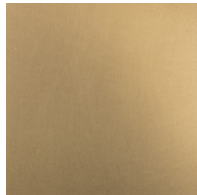


MATERIALS AND FINISHES

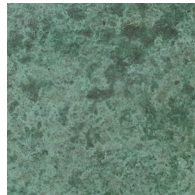
* Custom options available, please inquire



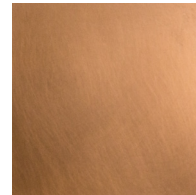
Steel - Hot Rolled



Silicon Bronze - Satin



Copper - Verdigris



Copper - Satin



Copper - Flamed



Stainless Steel - Satin