

NEW FORMAT

MERS, SIDE TABLE

MATERIALS -

Patinated and lacquered aluminum

SIZES -

22"L x 22" D x 19"T

* Custom sizing available, please enquire

DESCRIPTION -

The Mers Side Table is fabricated from solid aluminum, and patinated with our in-house salt pack technique. It is suitable for use indoors and out. Finish and form are both inspired by the simple utilitarianism of West Coast aluminum fishing boats.

SHOWN -

(right) Shown in aluminum with salt pack finish.

Available in bronze and blackened steel, please inquire.

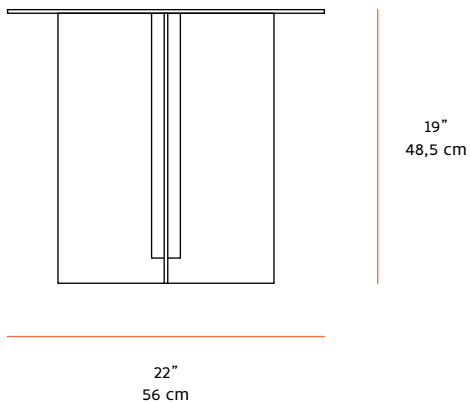
PRICE -

\$ 2,600 (as shown)

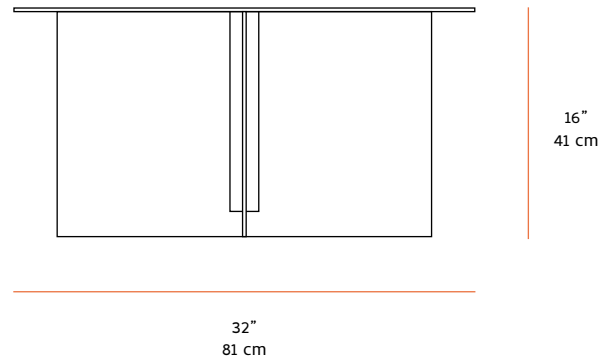


NEW FORMAT

MERS, SIDE TABLE



MERS, COFFEE TABLE



MATERIALS AND FINISHES -

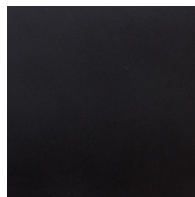
* Custom options available, please enquire



Aluminium - Salt Pack



Steel - Warm Brass Plated



Steel - Blackened