

NEW FORMAT

CONNECT, LOW TABLE

MATERIALS -

Legs in bronze or steel
Top in oxidized walnut, charred maple or bleached oak

SIZES -

42"W x 26"D x 15"T

* Custom sizing available, please enquire

DESCRIPTION -

Machined metal legs cleanly paired with a wooden top. Forged connection detail on base, and leg-through detail on top serve to tell the visual story of the piece and clarify for the viewer the process of creation and assembly.

SHOWN -

Shown in satin finish bronze legs, charred maple top.
* Available in more options, please inquire.

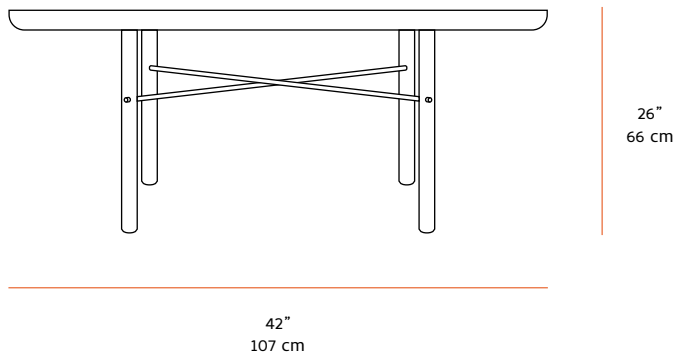
PRICE -

\$4,300 (as shown)



NEW FORMAT

CONNECT, LOW TABLE

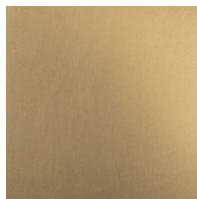


MATERIALS AND FINISHES -

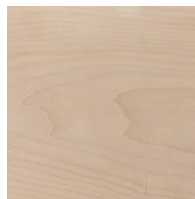
* Custom options available, please enquire



Steel - Blackened



Silicone Bronze - Satin



Wood - White Washed
Oak



Wood - American Walnut



Wood - Charred Maple